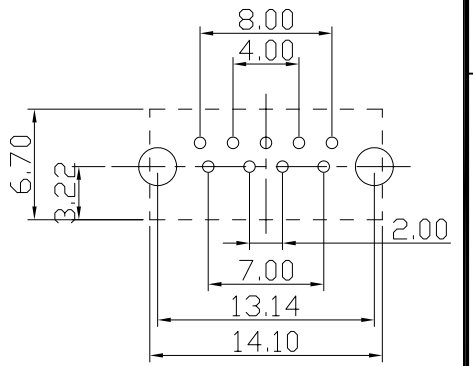
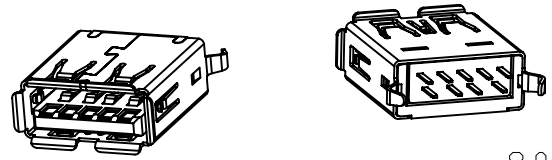
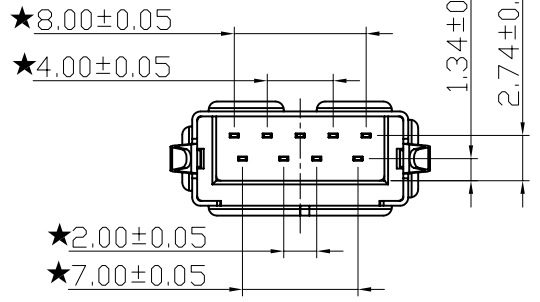
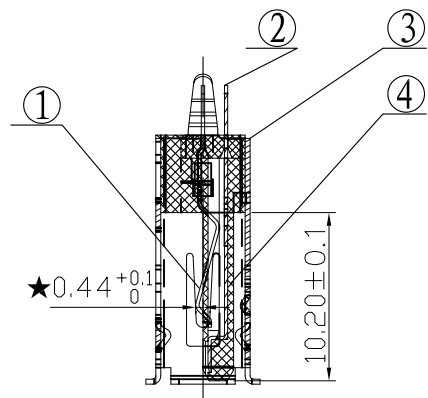
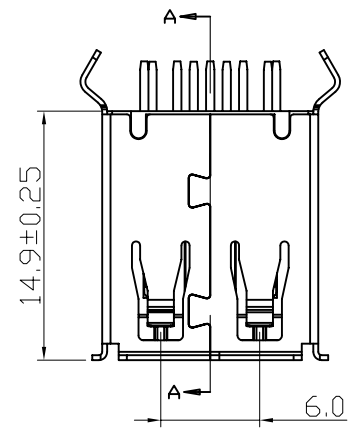
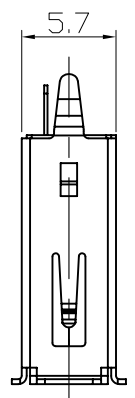


1 2 3 4 5 6

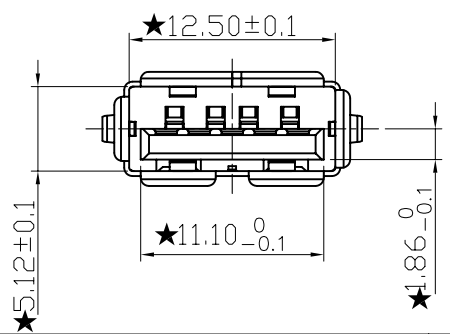
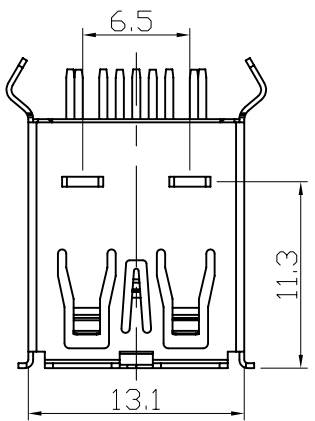
REVISIONS			
REV.	DESCRIPTION	DATE	REVISED BY



P. C. B LAYOUT



SECTION A-A



料号设变:

USB3-A01900XPXXXX

- H: 胶芯为白色
- W: 胶芯为黑色
- B: 胶芯为蓝色
- F: 外壳为铁料
- C: 外壳为铜料
- 1: 端子镀金: 6/F
- 3: 端子镀金: 3U"
- 5: 端子镀金: 5U"
- 10: 端子镀金: 10U"
- 15: 端子镀金: 15U"
- 30: 端子镀金: 30U"
- 2: 外壳镀镍
- 4: 外壳镀金

★STRESS REPRESENTATIVE SIZE

ITEM	DESCRIPTION	MATERIAL	REMARKS
4	HOUSING	PBT	UL94V-0
3	SHELL	SPCC OR BRASS T=0.3mm	OVEP-PIATING: Ni Or Au
2	5P TERMINAL	BRASS T=0.2mm	OVEP-PIATING: Au Ni/Sn
1	4P TERMINAL	Phosphor Bronze T=0.2mm	OVEP-PIATING: Au Ni/Sn



EBE TECHNOLOGY(HK) LIMITED

GENERAL TOLERANCE		Description	USB3.0 AF DIP 180°		Third Angle Projection
X.	±0.20	X°	±2°	Customer Name	Drawing By 王超
X.X	±0.15	X.X°	±1°	Customer No.	Designed By
X.XX	±0.13	X.XX°	±0.5°	Produce No.	Approved By 许代略
Date		2011.12.20	Scale	1:1	Units
					<input type="checkbox"/> MM <input type="checkbox"/> Inch
					REV A/0

1 2 3 4 5 6